

Name : _____

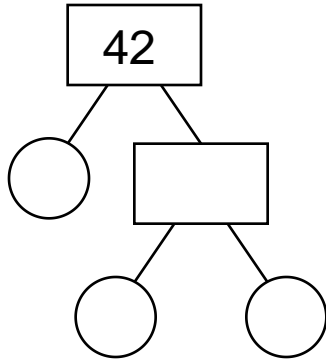
Score : _____

Teacher : _____

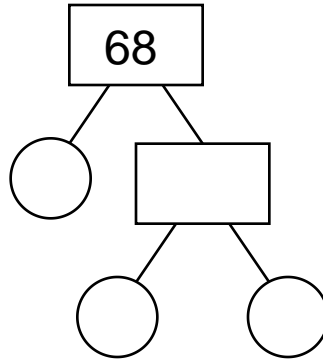
Date : _____

Find the Prime Factors of the Numbers

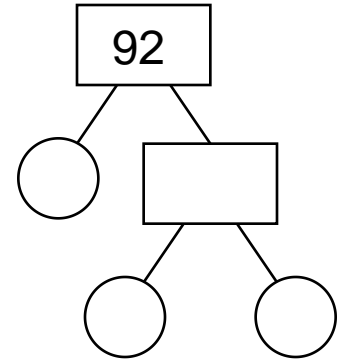
1)



2)



3)



Prime Factors

$$_ \times _ \times _ = 42$$

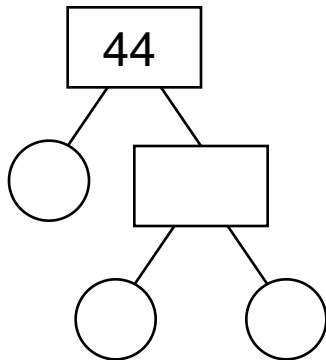
Prime Factors

$$_ \times _ \times _ = 68$$

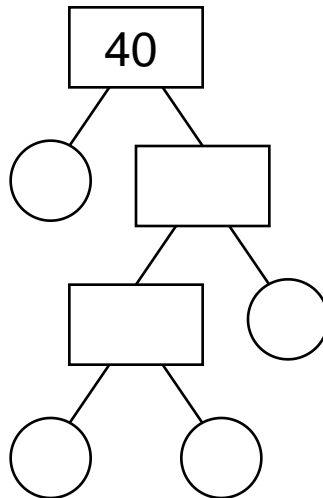
Prime Factors

$$_ \times _ \times _ = 92$$

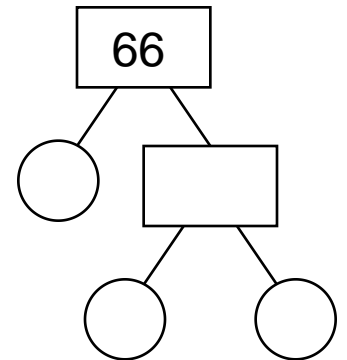
4)



5)



6)



Prime Factors

$$_ \times _ \times _ = 44$$

Prime Factors

$$_ \times _ \times _ \times _ = 40$$

Prime Factors

$$_ \times _ \times _ = 66$$

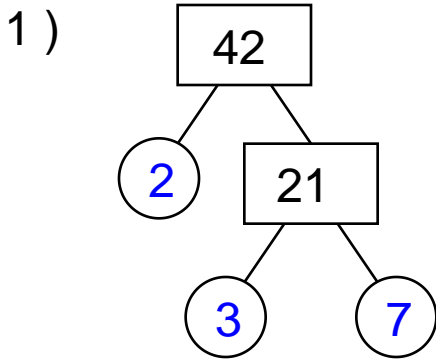
Name : _____

Score : _____

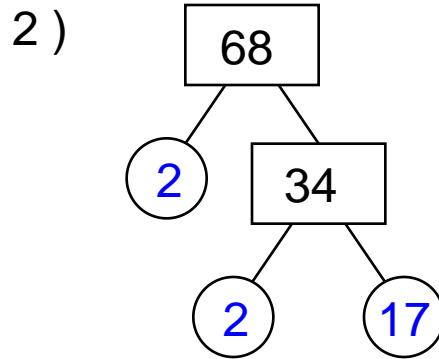
Teacher : _____

Date : _____

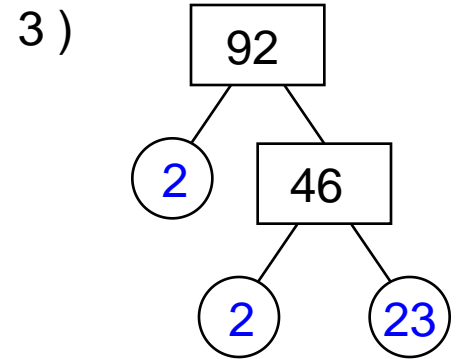
Find the Prime Factors of the Numbers



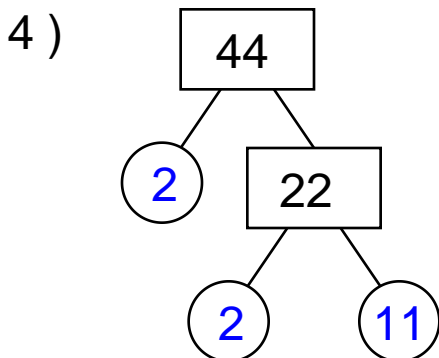
Factors
 $2 \times 3 \times 7 = 42$



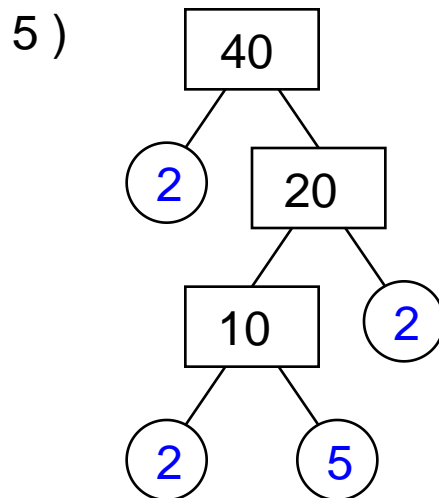
Factors
 $2 \times 2 \times 17 = 68$



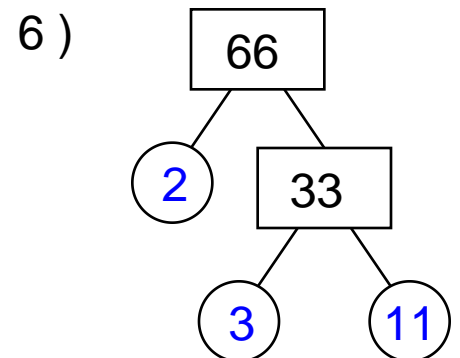
Factors
 $2 \times 2 \times 23 = 92$



Factors
 $2 \times 2 \times 11 = 44$



Factors
 $2 \times 2 \times 2 \times 5 = 40$



Factors
 $2 \times 3 \times 11 = 66$